

TRS Series

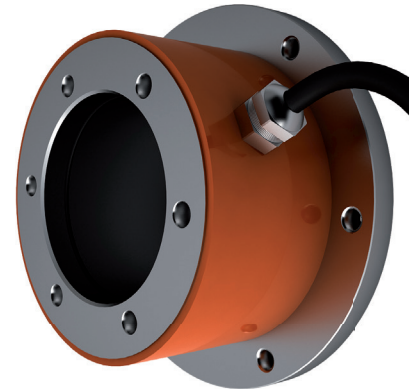
Static Torque Sensor

Used either in torque display systems or in torque closed loop control systems, Merobel TRS series offer a plug-and-play solution for test rigs.

When embedded in a closed loop system it easily allows to dramatically increase the dynamic properties of a torque simulation device, and to build more accurate and stable regulation systems.

Benefits

- ▶ Very large bore diameter
- ▶ 2 meters shielded cable output
- ▶ High torque measurement accuracy
- ▶ Designed for a long lifetime
- ▶ Fully designed for fitting on MEROBEL brakes.

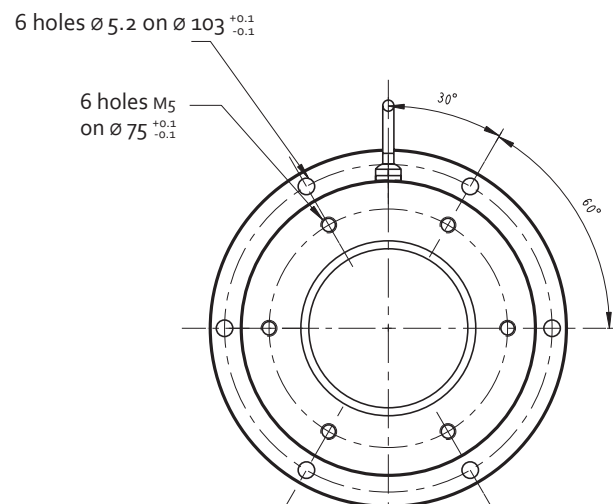
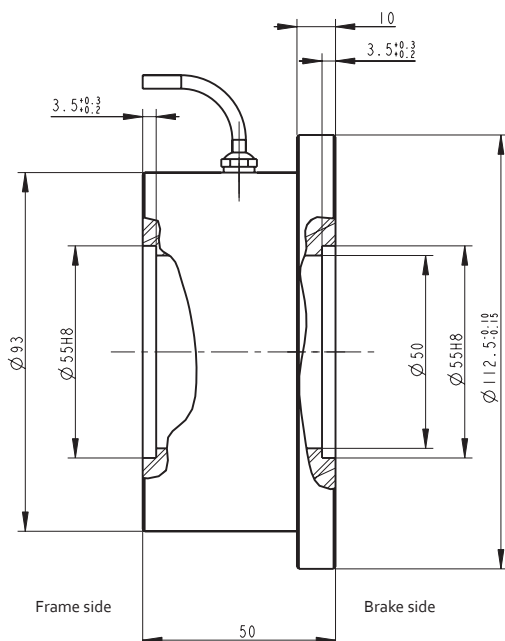


Specifications

Overload related to nominal	150%
Supply	5V to 10V
Operating temperature	0° to 80°
Maximum working temperature	-10/+100°
Accuracy	± 0.5%
Strain gage resistance	~ 700Ω

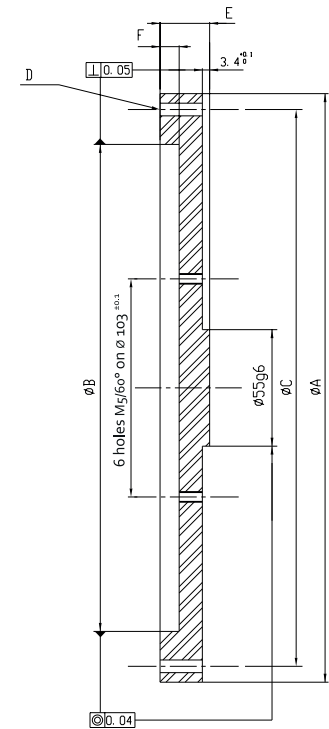
Reference	Nominal Torque [Nm]	Part N#
TRS 50	50	ME332450-00
TRS 100	100	ME332451-00
TRS 200	200	ME332452-00

Dimensions



Adapter plates

Brake type	A	B	C	E	F
350	$\varnothing 135.3 \pm 0.1$	$\varnothing 55 \text{ g6}$	6x $\varnothing 5.5$ on $\varnothing 122 \pm 0.1$	13 ± 0.1	$2^{+0.1}$
650	$\varnothing 157 \pm 0.1$	$\varnothing 75 \text{ g6}$	6x $\varnothing 6.5$ on $\varnothing 144 \pm 0.1$	14	3.5 ± 0.1
1200	$\varnothing 251 \pm 0.1$	$\varnothing 214 \text{ g5}$	8x $\varnothing \text{M7}$ on $\varnothing 233 \pm 0.1$	22	6 ± 0.1
2002	$\varnothing 278 \pm 0.1$	$\varnothing 230 \text{ g7}$	6x $\varnothing \text{M7}$ on $\varnothing 263 \pm 0.1$	23	9.3 ± 0.1

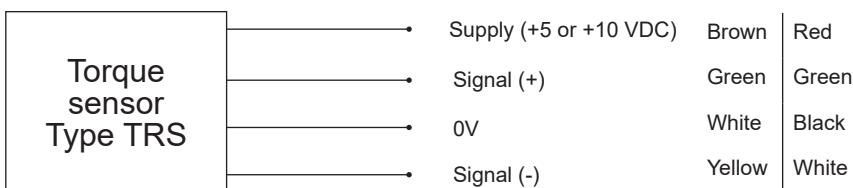


Accessories

Torque sensor	Brake type	Adapter plates ref.
TRS 50	120	Direct mounting
TRS 50	350	360 100 02
TRS 100	650	360 100 03
TRS 200	1200	360 100 04
TRS 200	2002	360 100 05

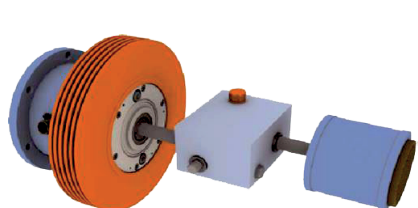
Nota : Resistor supplied with TRS can be used in specific case for torque calibration simulation in case of calibration issue.
Ask for dedicated documentation with Merobel controller to calibrate torque measurement with resistor.

Wiring

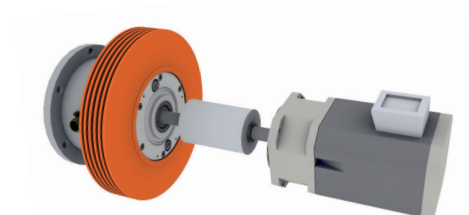


Applications

Torque simulation for test benches



Valves - Actuators - Gearboxes



Motors testing