

General data

KRP0+			M	R	
Weight	m	kg	1 Stage	8	14
			2 Stages		
Efficiency	η	%	1 Stage	96	94
			2 Stages		
Backlash	J	arcmin	Standard	3	4
			Reduced	1	2
Color	RAL2002				

Pinion features

Tooth type	Helical	14	18
Module	Mo mm	3	3
Helix angle (left)	β deg	19°31'42"	19°31'42"
Number of teeth	Z2	14	18
Pressure angle	α deg	20	20
Theoretical pitch diameter	D02 mm	44,563	57,296
Addendum modification factor	x0	0,3061	0,118
Pinion quality grade	Q (ISO 1328)	6	6
Surface hardness	HRC HRC	61-63	61-64

Rack features

Version	Helical	
Standard	F2B N	15939
	F2NOT N	31878
	Material	C45E DIN 1.1191
Reinforced	F2B N	19562
	F2NOT N	48904
	Material	16MnCr5
Available length	L mm	500, 1000, 2000
Dimensions		see catalog p112-115

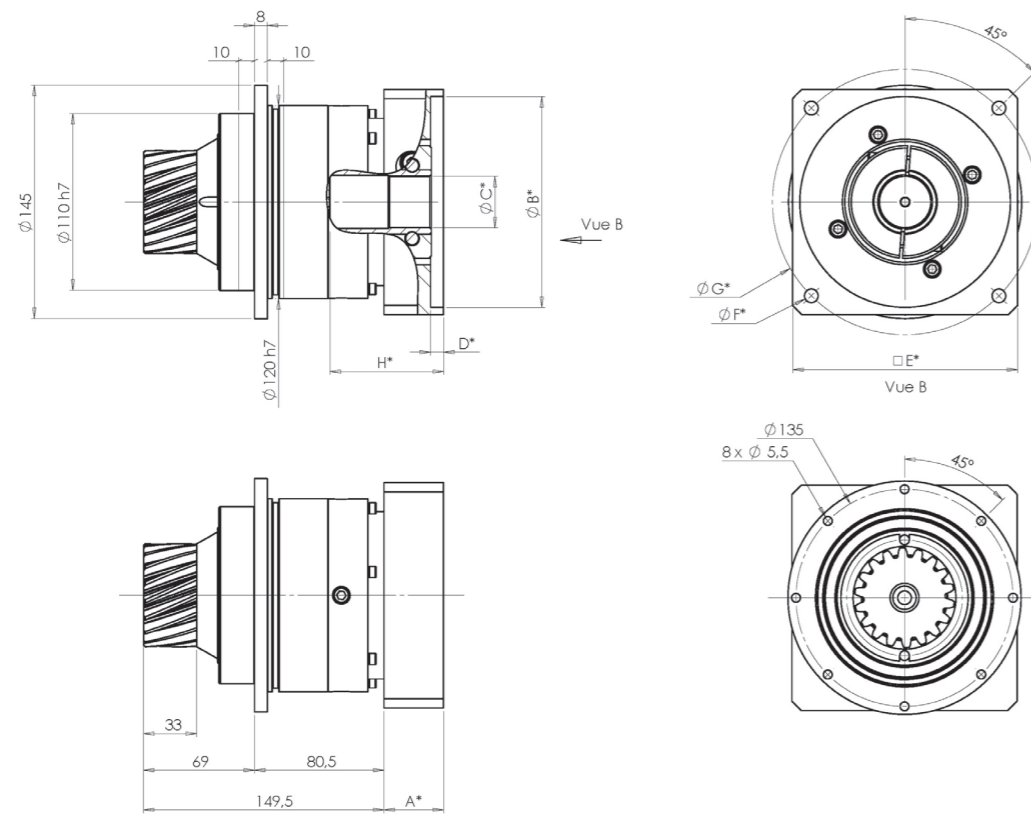
Drive linear features

Ratio	Tooth type	Helical	5		7		10	
			14	18	14	18	14	18
Nominal feed force	F2N	N	8977	6982	8977	6982	8977	6982
Peak acceleration feed force	F2B	N	15709	12218	15709	12218	15709	12218
Max. acceleration feed force	F2B_max	N	31417	24435	31417	24435	31417	24435
E-stop force	F2NOT	N	28051	21817	28051	21817	28051	21817
Max. linear speed	V2B	m/min	168	217	120	155	84	109
Nominal linear speed	V2N	m/min	56	73	40	52	28	37
Linear stiffness on the rack	K2T +M	N/ μ m	100	100	97	97	91	91
	K2T +R	N/ μ m	80	80	72	72	64	64
Inertia	I +M	kg.mm ²	354	354	306	306	277	277
	I +R	kg.mm ²	609	609	561	561	537	537

KRP ratings

Ratio	Tooth type	Helical	5		7		10	
			14	18	14	18	14	18
Nominal output torque	T2N	Nm	200	200	200	200	200	200
Max. output torque	T2B	Nm	350	350	350	350	350	350
No load torque	T01 +R	Nm	3	3	3	3	3	3
No load torque	T01 +M	Nm	2	2	2	2	2	2
E-stop torque	T2NOT	Nm	625	625	625	625	625	625
Max. input speed	n1B	rpm	6000	6000	6000	6000	6000	6000
Nominal input speed	n1N	rpm	2000	2000	2000	2000	2000	2000
Radial stiffness	K2R	N/ μ m	160	160	160	160	160	160
Axial stiffness	K2A	N/ μ m	570	570	570	570	570	570
	C2t +R	Nm/ rad	137510	120321	120321	106570	106570	106570
Torsional stiffness		Nm/arcmin	40	35	35	31	31	31
	C2t +M	Nm/ rad	189076	168450	168450	137510	137510	137510
		Nm/arcmin	55	49	49	40	40	40

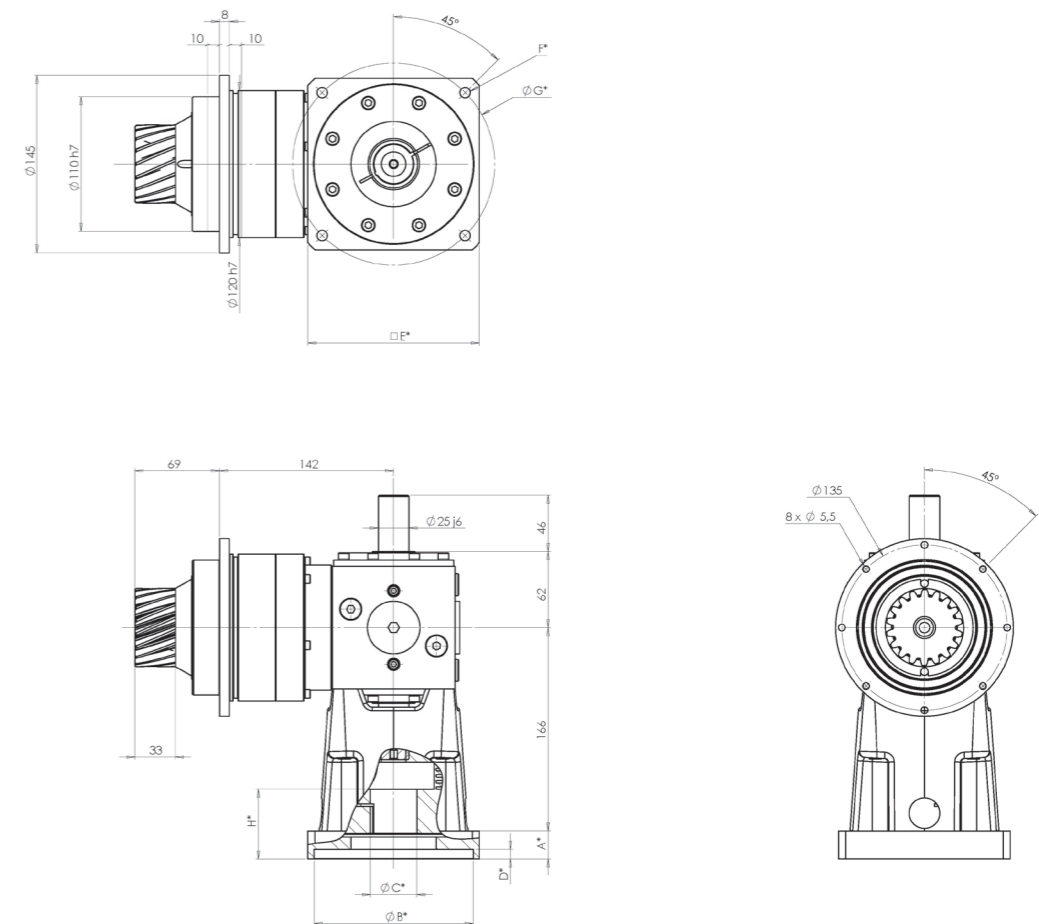
DIMENSIONS - TYPE M 1 stage



	IFB 140 14/24	IFB 140 28/38	IFB 200 28/38	IFB 260 28/38
A	37	42	57	64
E	140	140	200	260
H	59	65	80	87

*B C D F G According to motor dimensions
Tapping depth = 1.5x0 thread

DIMENSIONS - TYPE R 1 stage



	MF3 140	MF3 200	MF3 260
A	21	21	24
E	140	200	260
H	80	80	83

*B C D F G According to motor dimensions
Tapping depth = 1.5x0 thread

Dimensions and main data for information only - Please consult us and / or refer to Products Datasheets
For accurate selection, contact your local supplier