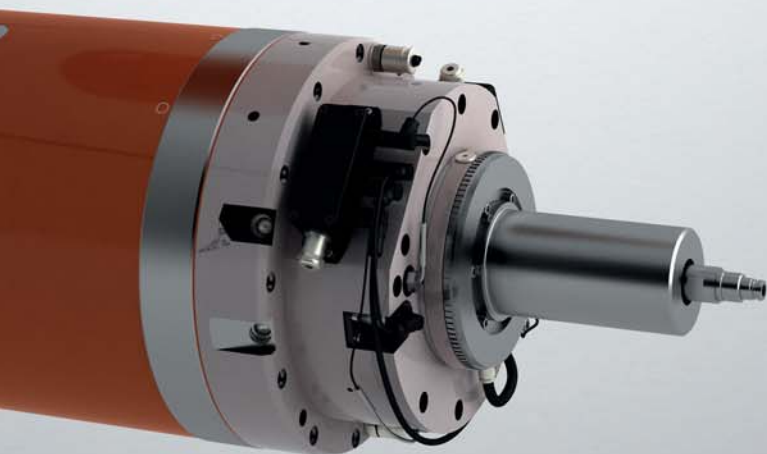
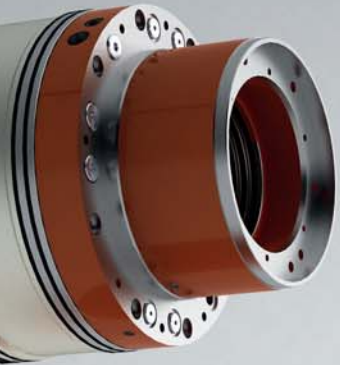


# RAM *SIZE 280*



Speed	<b>N1B</b>	<b>[rpm]</b>
Power	<b>P</b>	<b>[kW]</b>
Torque	<b>T2N</b>	<b>[Nm]</b>

Speed	<b>N1B</b>	<b>[rpm]</b>
Power	<b>P</b>	<b>[kW]</b>
Torque	<b>T2N</b>	<b>[Nm]</b>

Mounting position

Control

Interface

Cooling/Flow rate **[l/mn]**

Cooling/Loss power **[kW]**

Bearings lubrication

Lubrication/Flow rate **[l/mn]**

Lubrication/Loss power **[kW]**

Speed shifting/Pressure **[bar]**

Speed shifting/Flow rate **[l/mn]**

RAM design for external forced lubrication

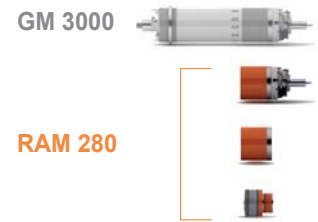
Gearbox only

Gearbox + Cooling Jacket

Gearbox + Cooling Jacket  
+ output shaft arrangement

## S1 - 100%

		Gear 1:1		Gear 5:1	
		1500	7000	300	1400
		97.1	97.1	94.2	94.2
		619	133	3000	643



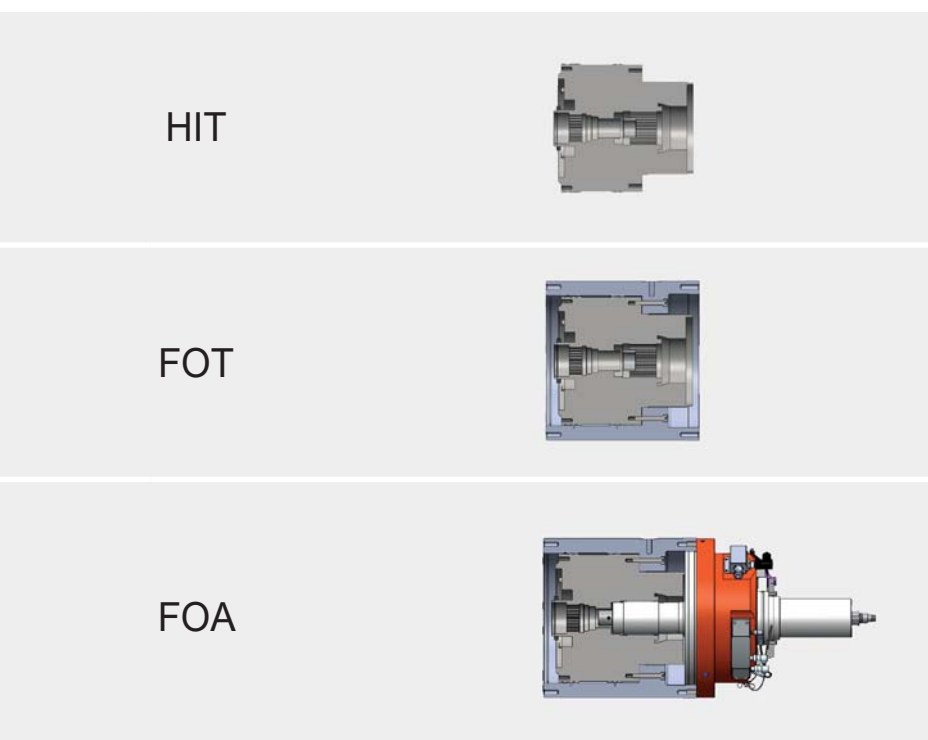
## S6 - 40%

		Gear 1:1		Gear 5:1	
		1500	7000	300	1400
		145.7	145.7	141.3	141.3
		928	199	4500	964

## Technical Features

Vertical and horizontal
Siemens/Fanuc/Heidenhain
Internal splines
40
2.91
Grease
3
0.92
50 to 100
8 to 10

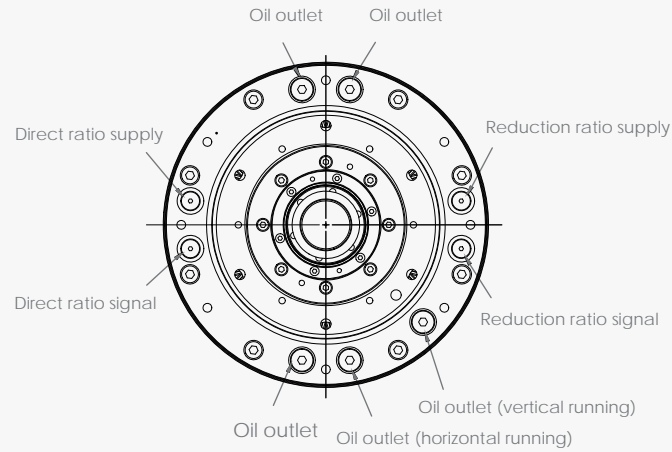
## Interface



## DIMENSIONS

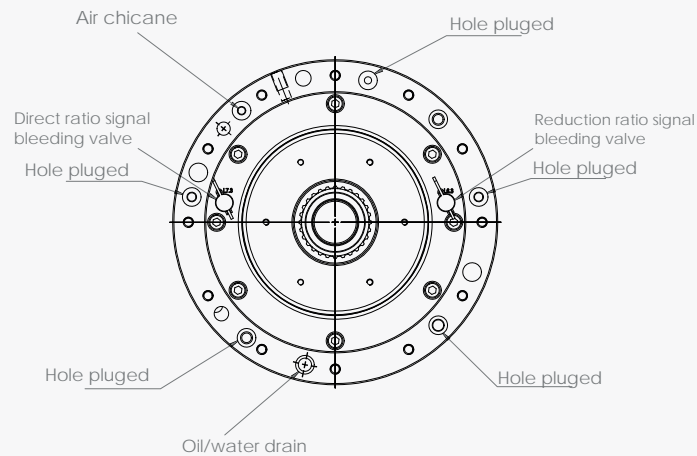
HIT

### A View



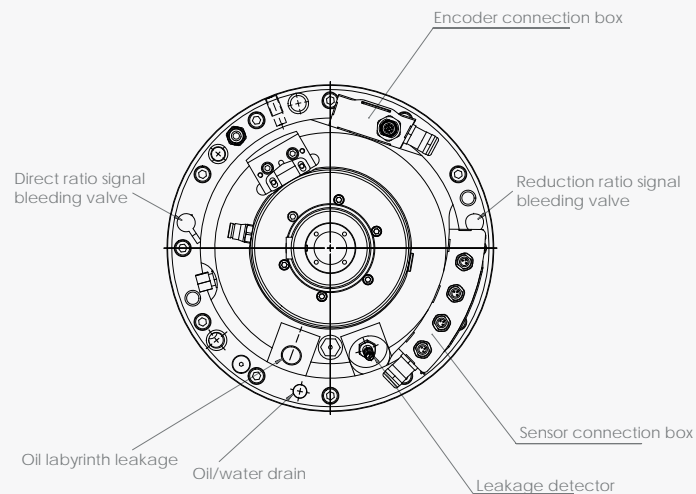
FOT

### B View



FOA

### C View

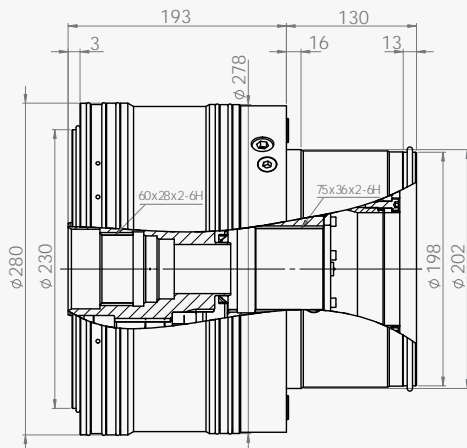


# DIMENSIONS

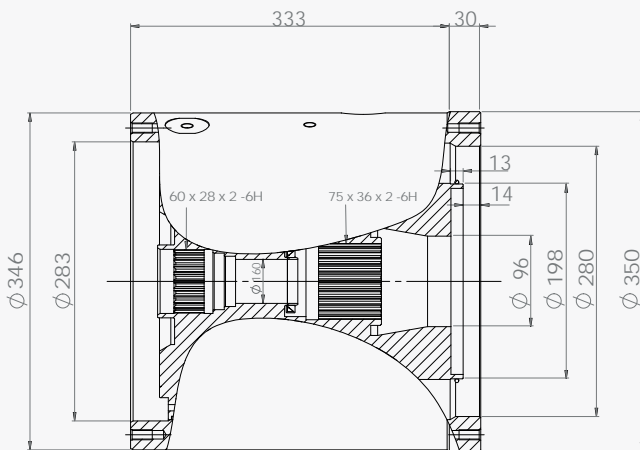
GM 3000



RAM 280

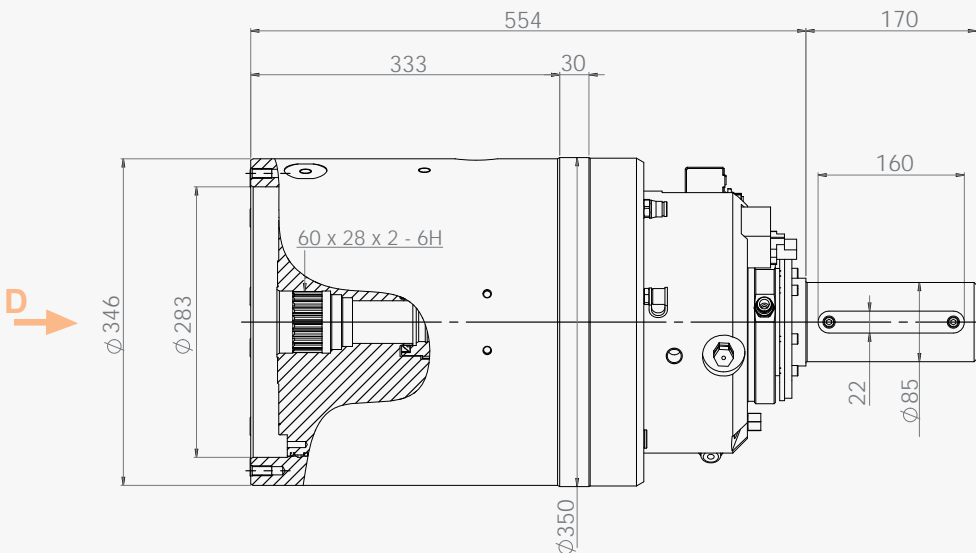
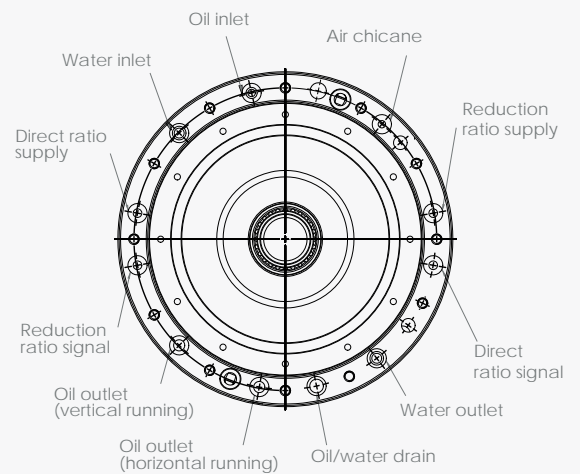


**A**



**B**

## D View



**C**

# ANDANTEX USA Inc.

1705 Valley Road,  
Wanamassa, NJ 07712  
800-713-6170

Fax 732-493-2949

E-mail [info@andantex.com](mailto:info@andantex.com)

**[WWW.ANDANTEX.COM](http://WWW.ANDANTEX.COM)**