

KRP *SIZE 3*



KRP3

Weight

Efficiency

Backlash

Color

Tooth type

Module

Helix angle (left)

Number of teeth

Pressure angle

Theoretical pitch diameter

Addendum modification factor

Pinion quality grade

Surface hardness

Ratio

Nominal feed force

Peak acceleration feed force

Max. acceleration feed force

E-stop force

Max. linear speed

Nominal linear speed

Linear stiffness on the rack

Inertia

Ratio

Nominal output torque

Max. output torque

No load torque

No load torque

E-stop torque

Max. input speed

Nominal input speed

Radial stiffness

Axial stiffness

Torsional stiffness

General data

		M	R
m	kg	1 Stage	
		2 Stages	103 116
η	%	1 Stage	
		2 Stages	93 91
J	arcmin	Standard	3 4
		Reduced	1 2
RAL2012			

Pinion features

		Helical	Straight
Mo	mm	5	5
β	deg	19°31'42"	0°
Z2	-	18	19
α	deg	20°	20°
D02	mm	95,49	95
x0	-	0,251	0,300
Q	(ISO 1328)	6	6
HRC	HRC	61-63	61-63

Rack features

Version			Helical	Straight
Standard	F2B	N	44837	38761
	F2NOT	N	89674	67410
	Material		C45E DIN 1.1191	
Reinforced	F2B	N	55062	N/A
	F2NOT	N	119700	N/A
	Material		16MnCr5	
Available length	L	mm	500, 1000, 2000	
Dimensions	see details p113-115			

Drive linear features

		5	7	10	17	21	31	46	61	91
F2N	N				38748	31417	46078	29532	32255	32255
F2B	N				67819	54980	80637	51691	56446	56446
F2B_max	N				135637	109959	161273	103383	112891	112891
F2NOT	N				103676	103676	103676	103676	103676	103676
V2B	m/min				88	71	48	33	25	16
V2N	m/min				28	23	15	10	8	5
K2T +M	N/μm				426	426	409	399	387	421
K2T +R	N/μm				-	363	386	374	385	382
I +M	kg.mm ²				1242	994	8465	773	666	647
I +R	kg.mm ²				-	2552	2403	2330	2224	2204

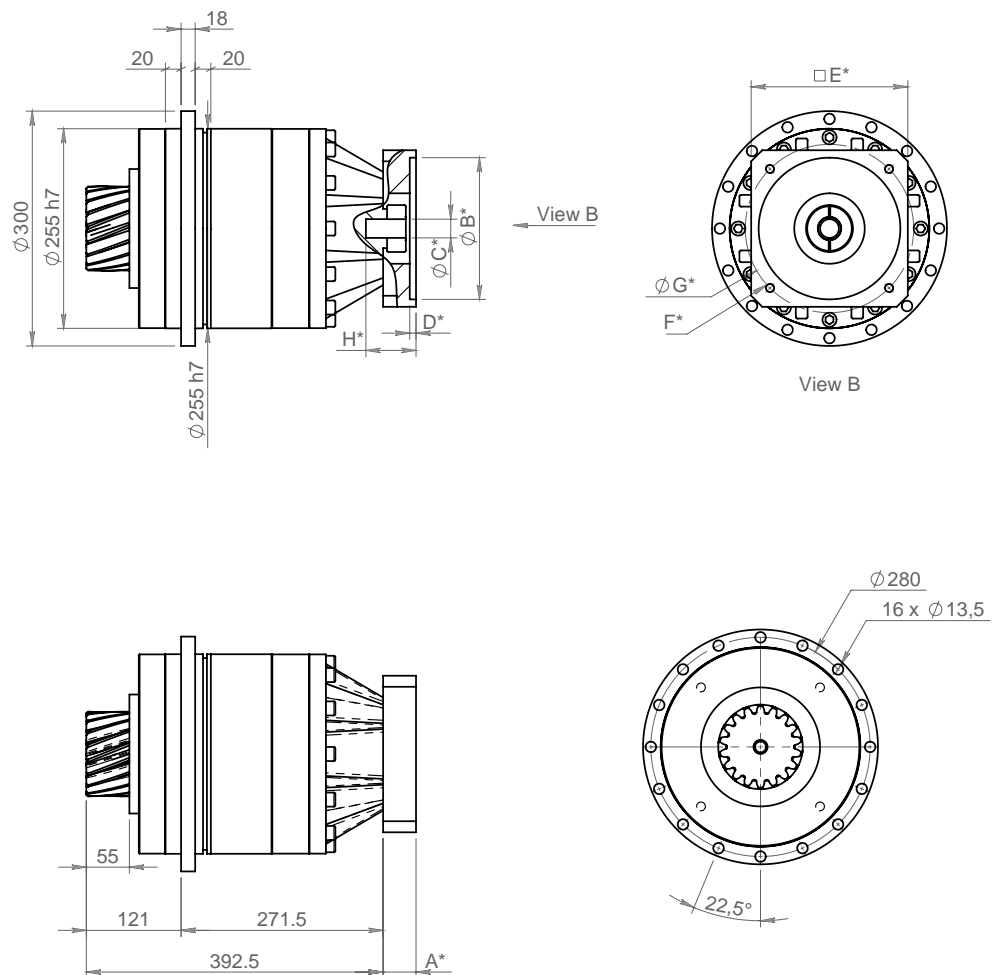
KRP ratings

		5	7	10	17	21	31	46	61	91
T2N	Nm				1850	1500	2200	1410	1540	1540
T2B	Nm				3238	2625	3850	2468	2695	2695
T01 +R	Nm				2,8	2,8	2,8	2,8	2,8	2,8
T01 +M	Nm				2,5	2,5	2,5	2,5	2,5	2,5
T2NOT	Nm				4950	4950	4950	4950	4950	4950
n1B	rpm				5000	5000	5000	5000	5000	5000
n1N	rpm				1600	1600	1600	1600	1600	1600
K2R	N/μm				1100	1100	1100	1100	1100	1100
K2A	N/μm				4355	4355	4355	4355	4355	4355
C2t +R	Nm/ rad				1354472	1505733	1423227	1498858	1478231	
	Nm/arcmin				394	438	414	436	430	
C2t +M	Nm/ rad				1787628	1787628	1663869	1588239	1512609	1753251
	Nm/arcmin				520	520	484	462	440	510

Dimensions and main data for information only - Please consult us and / or refer to Products Datasheets
 For accurate selection, contact your local supplier

KRP SIZE 3

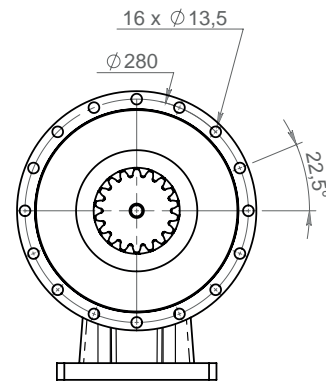
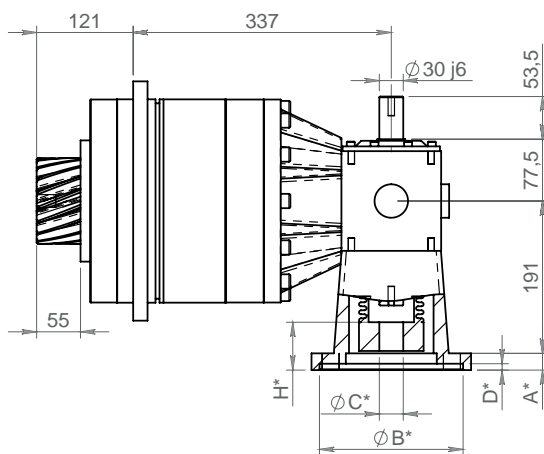
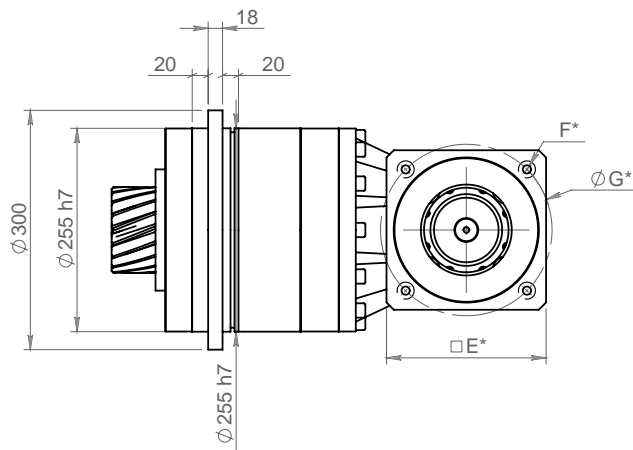
DIMENSIONS - TYPE M



	IFB 140 14/24	IFB 140 28/38	IFB 200 28/38	IFB 260 28/38
A	37	42	57	64
E	140	140	200	260
H	59	65	80	87

*B C D F G According to motor dimensions
Tapping depth = 1.5x0 thread

DIMENSIONS - TYPE R



	MF3 140	MF3 200	MF3 260
A	21	21	24
E	140	200	260
H	80	80	83

*B C D F G According to motor dimensions
Tapping depth = 1.5x0 thread

Dimensions and main data for information only - Please consult us and / or refer to Products Datasheets
For accurate selection, contact your local supplier