

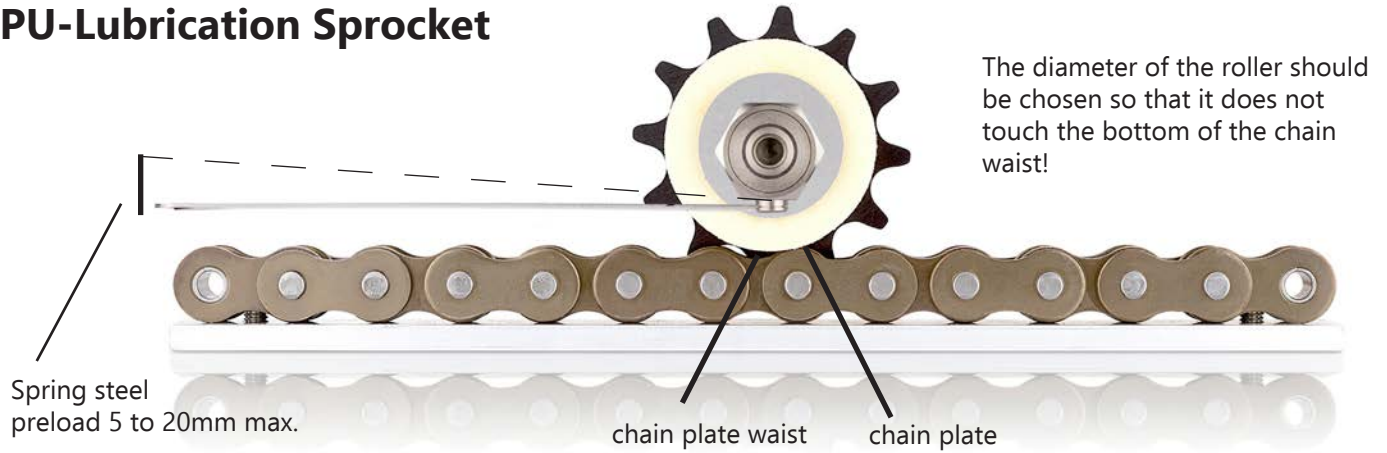
Oil lubrication is suitable for many applications, as it can be adapted to the operating conditions and structural conditions.

When selecting a suitable oil lubrication method for a bearing arrangement, the following requirements must be taken into account:

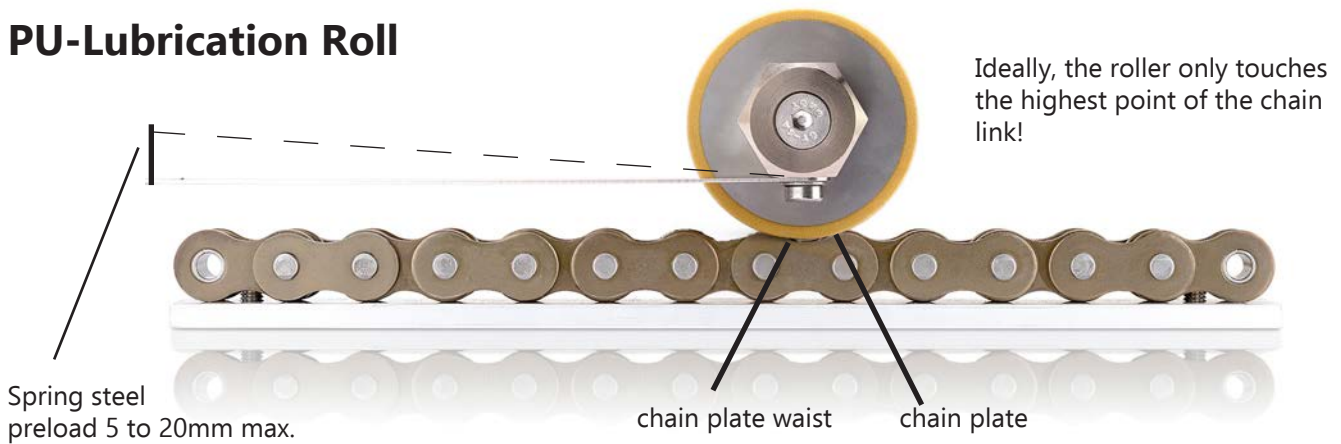
- + required amount and viscosity of the oil
- + Speed and hydrodynamic friction losses
- + permissible storage temperature



PU-Lubrication Sprocket



PU-Lubrication Roll



Special design:

Example: PU-Lubrication Roll for an accumulation chain

In this example, the roller outside diameter is **not** lubricated.

