

# DRP SIZE 3



## DRP3

Weight

Efficiency

Backlash

Color

## Tooth type

Module

Helix angle (left)

Number of teeth

Pressure angle

Theoretical pitch diameter

Addendum modification factor

Pinion quality grade

Surface hardness

## Ratio

Nominal feed force

Peak acceleration feed force

Max. acceleration feed force

E-stop force

Max. linear speed

Nominal linear speed

Linear stiffness on the rack

Inertia

## Ratio

Nominal output torque

Max. output torque

No load torque

No load torque

E-stop torque

Max. input speed

Nominal input speed

Radial stiffness

Axial stiffness

Torsional stiffness

## General data

			M	R
m	kg	1 Stage		
		2 Stages	294	300
η	%	1 Stage		
		2 Stages	93	91
J	arcmin	Standard	3	4
		Reduced	1	2
RAL2012				

## Pinion features

		Helical	Straight
Mo	mm	5	5
β	deg	19°31'42"	0°
Z2	-	18	19
α	deg	20°	20°
D02	mm	95,49	95
x0	-	0,251	0,300
Q	(ISO 1328)	6	6
HRC	HRC	61-63	61-63

## Rack features

Version			Helical	Straight
Standard	F2B	N	44837	38761
	F2NOT	N	89674	67410
	Material		C45E DIN 1.1191	
Reinforced	F2B	N	55062	N/A
	F2NOT	N	119700	N/A
	Material		16MnCr5	
Available length	L	mm	500, 1000, 2000	
Dimensions	see details p113-115			

## Drive linear features

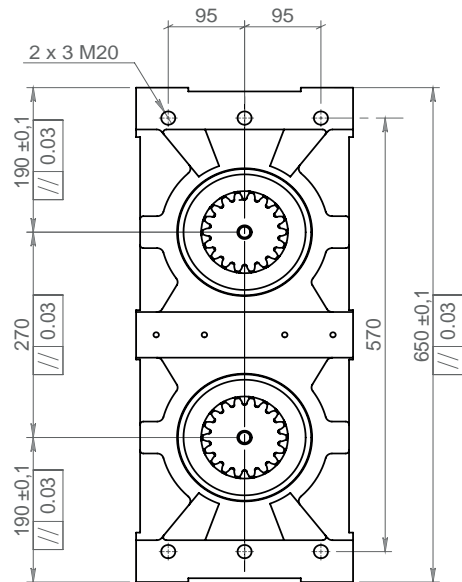
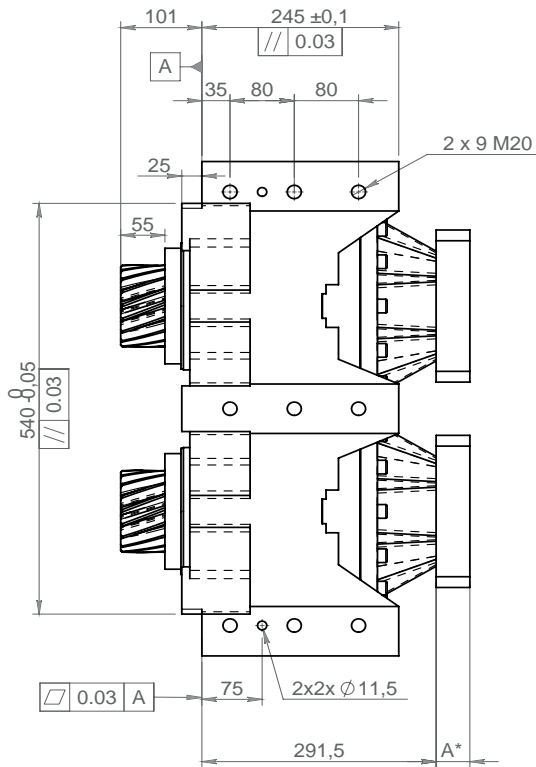
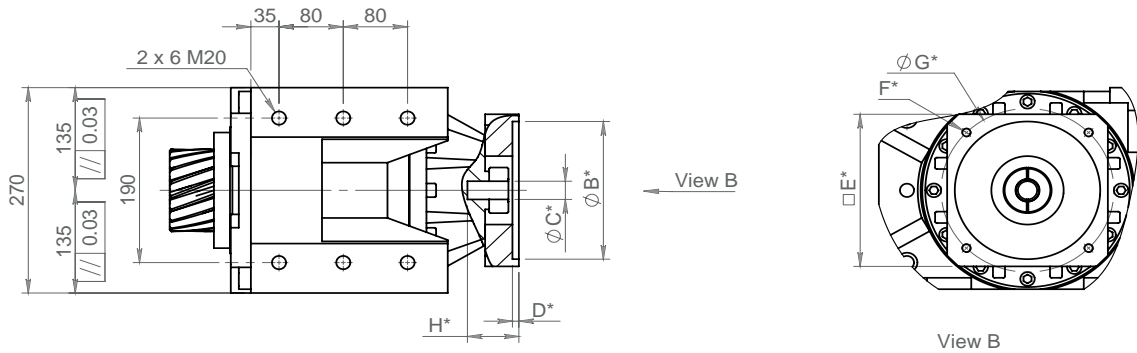
		5	7	10	17	21	31	46	61	91
F2N	N				38748	31417	46078	29532	32255	32255
F2B	N				67861	54980	80637	51691	56446	56446
F2B_max	N				135721	109959	161273	103383	112891	112891
F2NOT	N				103676	103676	103676	103676	103676	103676
V2B	m/min				88	71	48	33	25	16
V2N	m/min				28	23	15	10	8	5
K2T +M	N/μm				437	426	409	399	387	421
K2T +R	N/μm					363	368	374	385	382
I +M	kg.mm <sup>2</sup>				1242	994	846	773	666	647
I +R	kg.mm <sup>2</sup>					2527	2378	2305	2199	2180

## DRP ratings

		5	7	10	17	21	31	46	61	91
T2N	Nm				1850	1500	2200	1410	1540	1540
T2B	Nm				3240	2625	3850	2468	2695	2695
T01 +R	Nm					2,8	2,8	2,8	2,8	2,8
T01 +M	Nm				2.5	2,5	2,5	2,5	2,5	2,5
T2NOT	Nm				4950	4950	4950	4950	4950	4950
n1B	rpm				5000	5000	5000	5000	5000	5000
n1N	rpm				1600	1600	1600	1600	1600	1600
K2R	N/μm				1100	1100	1100	1100	1100	1100
K2A	N/μm				4355	4355	4355	4355	4355	4355
C2t +R	Nm/ rad					1354472	1505733	1423227	1498858	1478231
	Nm/arcmin					394	438	414	436	430
C2t +M	Nm/ rad				1873572	1787628	1663869	1588239	1512609	1753251
	Nm/arcmin				545	520	484	462	440	510

Dimensions and main data for information only - Please consult us and / or refer to Products Datasheets  
 For accurate selection, contact your local supplier

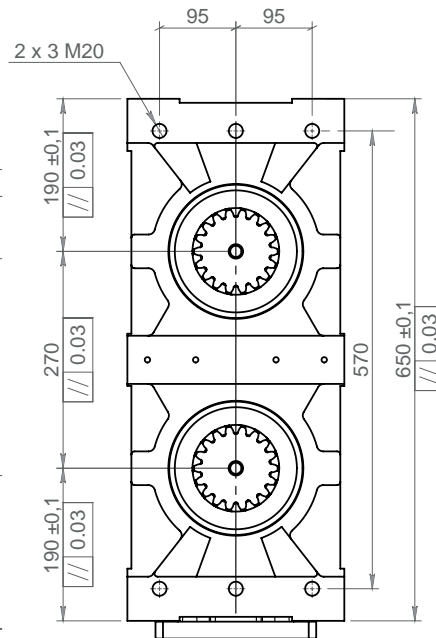
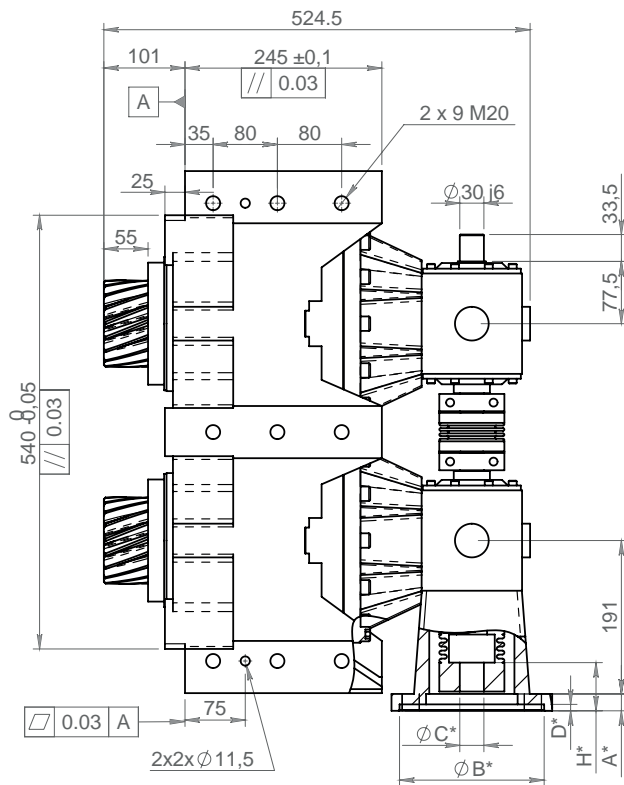
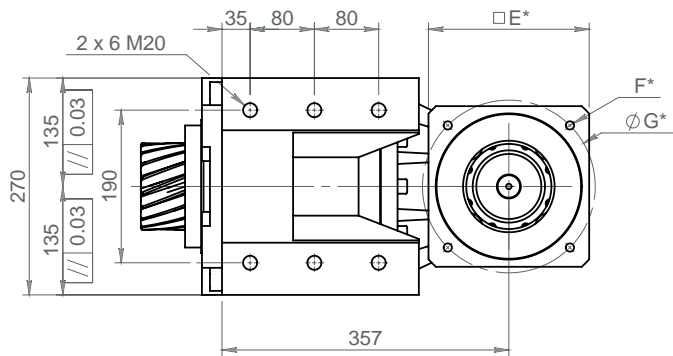
## DIMENSIONS - TYPE M



	IFB 140 14/24	IFB 140 28/38	IFB 200 28/38	IFB 260 28/38
<b>A</b>	37	42	57	64
<b>E</b>	140	140	200	260
<b>H</b>	59	65	80	87

\*B C D F G According to motor dimensions  
Tapping depth = 1.5x0 thread

# DIMENSIONS - TYPE R



	MF3 140	MF3 200	MF3 260
<b>A</b>	21	21	24
<b>E</b>	140	200	260
<b>H</b>	80	80	83

\*B C D F G According to motor dimensions  
Tapping depth = 1.5x0 thread

Dimensions and main data for information only - Please consult us and / or refer to Products Datasheets  
For accurate selection, contact your local supplier